

C.I.P.

45 HP

TAB. IV
Date 84-11-16

Country of Origin: AT

Revision 00-06-07
CARTRIDGE MAXI
CHAMBER MINI
Lengths

L1	=		
L2	=		
L3 ¹⁾	=	21.80	-0.25
L4	=		
L5	=		
L6	=	31.40	

Lengths

L1	=	
L2	=	
L3 ¹⁾	=	21.81

Case Head

R	=	1.24
R1	=	12.05
R3	=	
E	=	4.11
E1	=	10.16
e min	=	0.89
δ	=	26°
f	=	0.44
β	=	45°

Breech

R	=	
R1	=	12.22
R2	=	
R3	=	
r	=	

Powder Chamber

P1	=	12.09
P2	=	

Powder Chamber

E	=	5.00
P1 ¹⁾	=	12.18
P2	=	

Junction Cone

α	=	
S	=	
r1 min	=	
r2	=	

Junction Cone

α	=	
S	=	
r1 max	=	
r2	=	

Collar

H1	=	
H2 ¹⁾	=	12.01

Collar

H1	=	
H2 ¹⁾	=	12.04

Projectile

G1 ¹⁾	=	11.48
G2	=	
F	=	
L3+G ¹⁾	=	24.57

Commencement of Rifling

G1 ^{1)*}	=	11.48
G ^{1)*}	=	2.77
$\alpha 1$	=	180°
h	=	
s	=	
i ¹⁾	=	2°35'02"
w	=	

Pressures (Energies)
Method Transducer

Pmax	=	1300 bar
PK	=	1495 bar
PE	=	1690 bar
M	=	12.50

Barrel

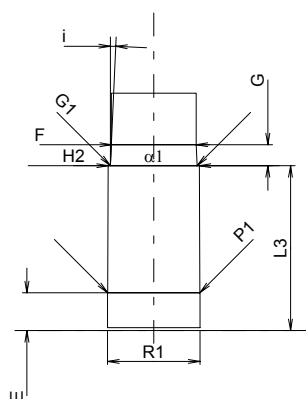
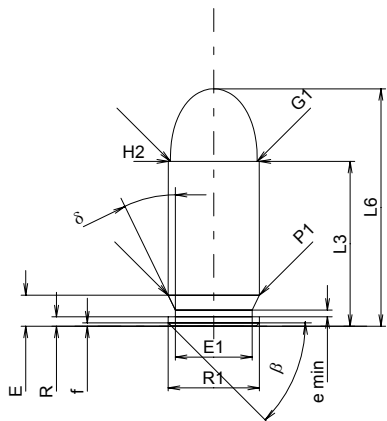
F ^{1)*}	=	11.23
Z ¹⁾	=	11.43

Grooves

b	=	3.73
N	=	6
u	=	406.00
Q	=	101.33 mm ²

Miscellaneous Dimensions

Fe ¹⁾	=	0.30
delta L	=	



Scale 1:1

 Dimensions in << mm >>
 Dimensions and Tolerances for Proof Barrels
 see Appendix CR 1.

 Notes: 1) Check for safety reasons
 * Basic dimensions